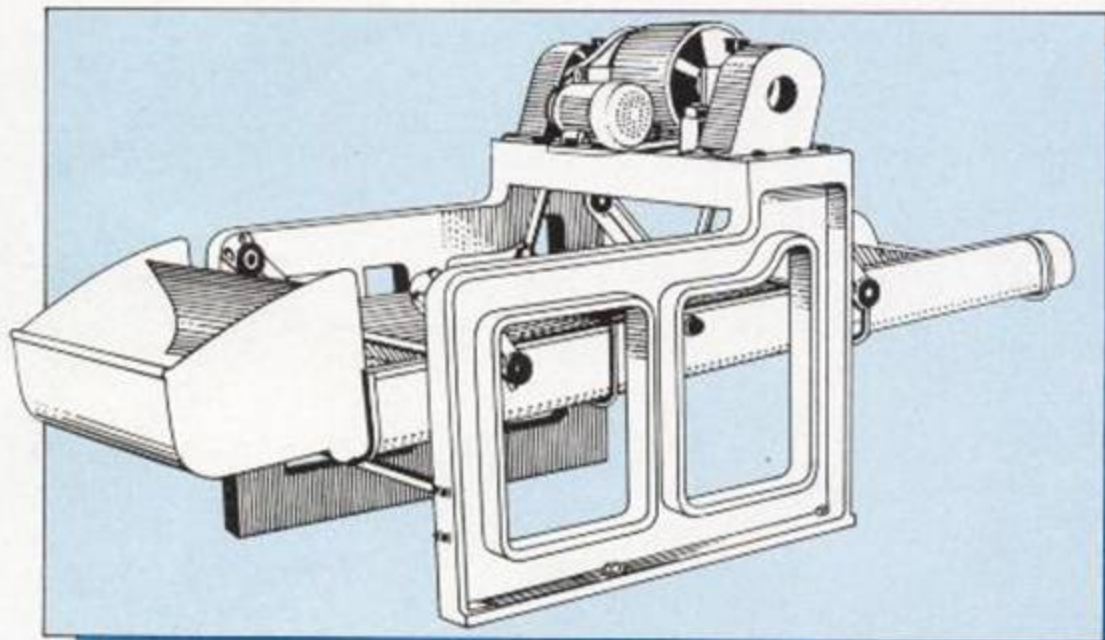


siftea

BALANCED SIFTER

SIFTEA Balanced Sifter is a well proven machine for sifting the Kutch Tea. It serves as a feeder for Rotorvane and CTC machines and also the Sennova processor. The machine is fitted with a stainless steel perforated tray. Tea fed onto the tray moves in a series of hops thereby sifting,

cooling & breaking the 'balls' in tea. Hopper opening is adjustable. Oscillating arms are fitted with silent **needle roller bearings** making the machine noiseless and vibration free. Frequent replacement of silent block bushes is avoided.



TECHNICAL SPECIFICATIONS

OVERALL DIMENSIONS : L 3185 mm (125.5") W 1230 mm (48.5") H 1380 mm (54.3")

CRANKSHAFT RPM : 270 PERFORATION : 10 mm (standard)

POWER : 0.75 KW (1HP) 930 RPM

The machine is elegantly finished with synthetic enamel paint. Strict inspection at our works ensures a perfect Balanced Sifter for you.

Corporate Office
19, R. N. Mukherjee Road,
Kolkata 700 001, West Bengal, INDIA
Phone : 91 33 2248 2223, Fax : 91 33 2210 0788
email : sales@fea.biz

Siliguri Office
"Gideon House" V/19B STAC Road,
Malaguti, Siliguri 734 403 (West Bengal)
Phone : 91 353 251 4905 Fax : 91 353 251 2190.
Email : siliguri@fea.biz

T & I Limited

Tinsukia Office
Mokun Road, Udyog Nagar,
Tinsukia 786 145, Assam
Phone : (91 374) 233 9773/2036,
Fax : (91 374) 233 0086
email : tinsukia@fea.biz

Tezpur Office,
Tezpur 784 001, Assam
Phone : 91 3712 25 5004/5 Fax : 91 3712 25 5007
email : tezpur@fea.biz